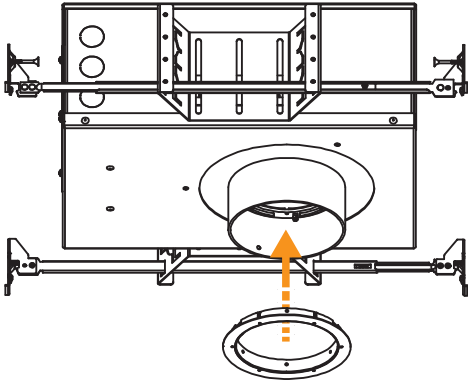
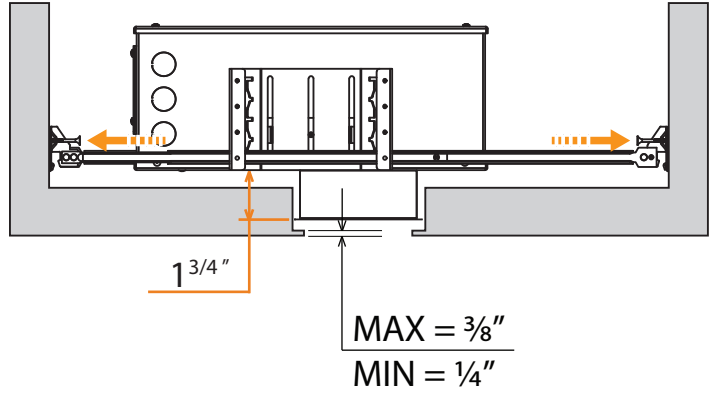


STEP 1 - INSTALL THE TRIM ADAPTER

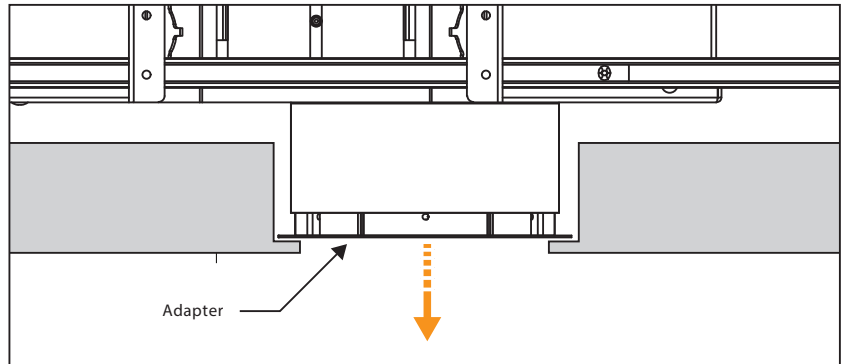


STEP 2 - INSTALL THE HOUSING

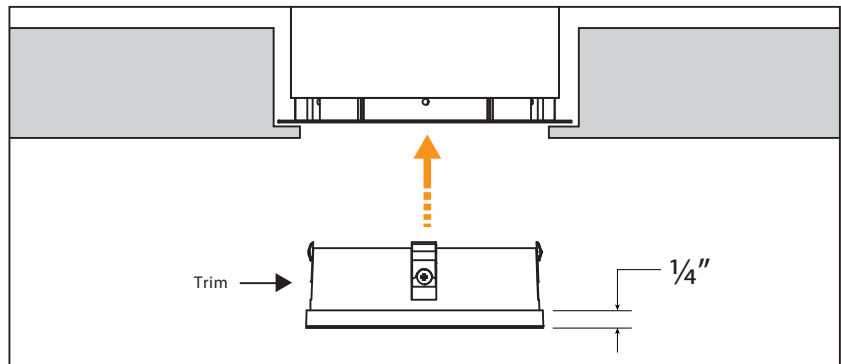


STEP 3 - INSTALL AND SET THE TRIM

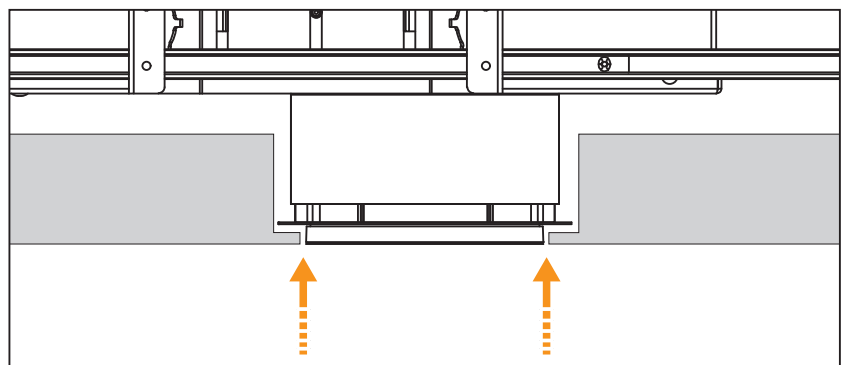
Step 3-1 :
Pull the adapter down.

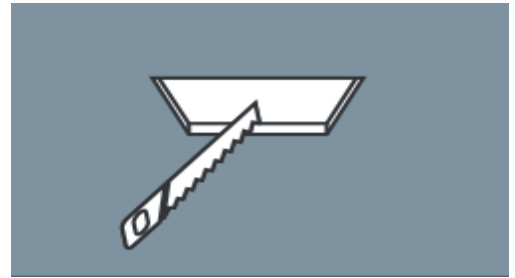
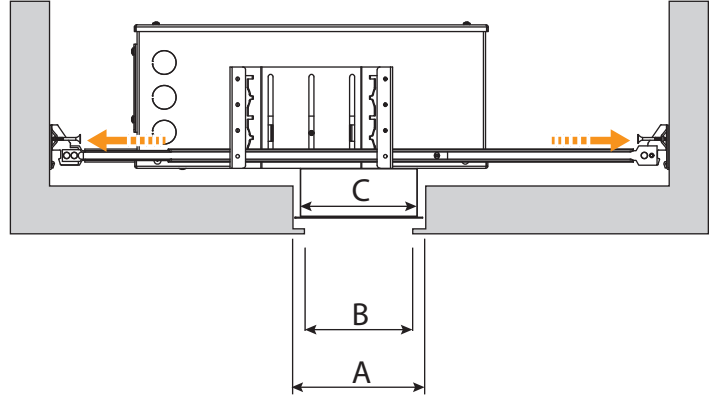
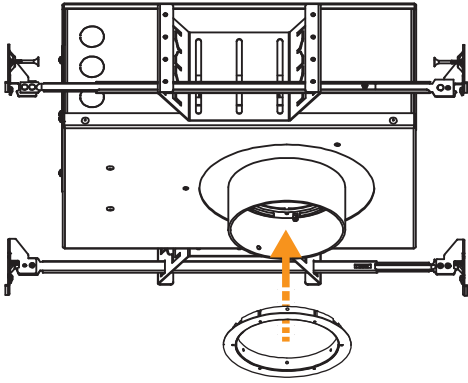


Step 3-2 :
Insert the trim into the adapter.



Step 3-3 :
Adjust the adapter and trim.





Aperture	A	B	C
2"	4"	2-7/8"	3-3/8"
3"	5"	3-7/8"	4-3/8"
4"	6"	4-7/8"	5-3/8"

Aperture	A	B	C
2"	4 x 4"	2-7/8 x 2-7/8"	3-3/8 x 3-3/8"
3"	5 x 5"	3-7/8 x 3-7/8"	4-3/8 x 3-3/8"
4"	6 x 6"	4-7/8 x 4-7/8"	5-3/8 x 3-3/8"